

"SIMM" P.C. BOARD LAYOUT

- NOTES:
- CARD SLOT ACCEPTS .050 +.004/-.003 P.C. BOARDS (MEASURED OVER P.C. PADS).
 - PRODUCT SPEC PS-78954 APPLIES
 - CENTER PEG IS AN INTERFERENCE FIT TO PCB UNLESS NOTED ON THE DWG. (APPLICABLE ONLY IF PART HAS A CENTER PEG FEATURE)

MATERIALS:

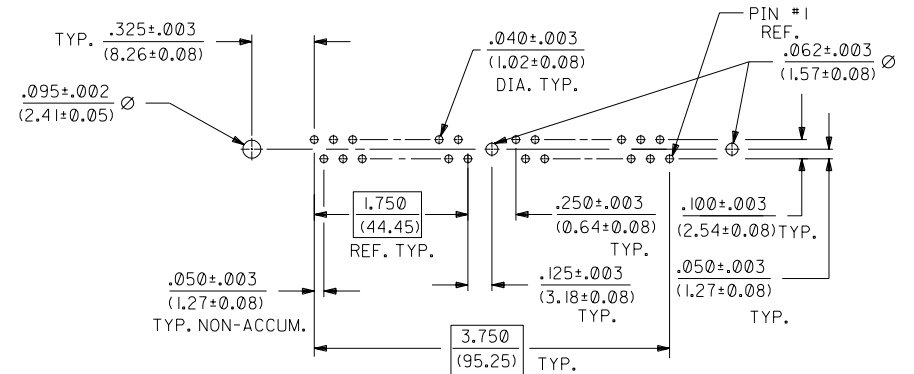
HOUSING- LCP, GLASS FILLED, 94V-0, COLOR: BLACK

TERMINAL- PHOSPHOR BRONZE

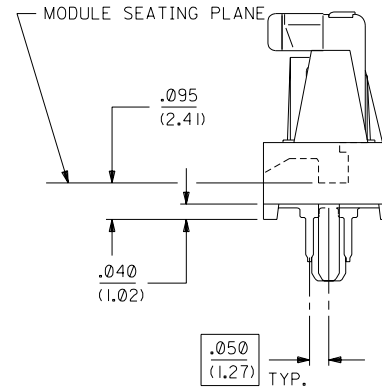
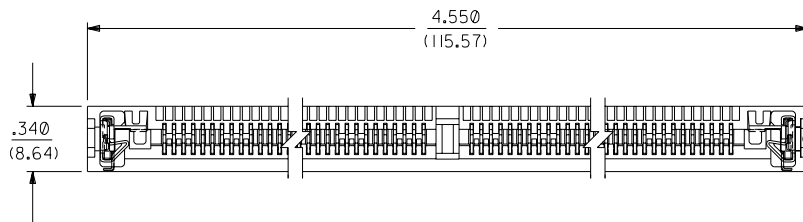
PLATING- POST PLATED 200 μ in/(5.08 μ m) MINIMUM TIN IN CONTACT AREA AND 150 μ in/(3.81 μ m) MINIMUM TIN IN TAIL AREA OVER 50 μ in/(1.27 μ m) MINIMUM NICKEL OVERALL

* REFERENCE NOTE IN LOWER LEFT CORNER OF DRAWING.

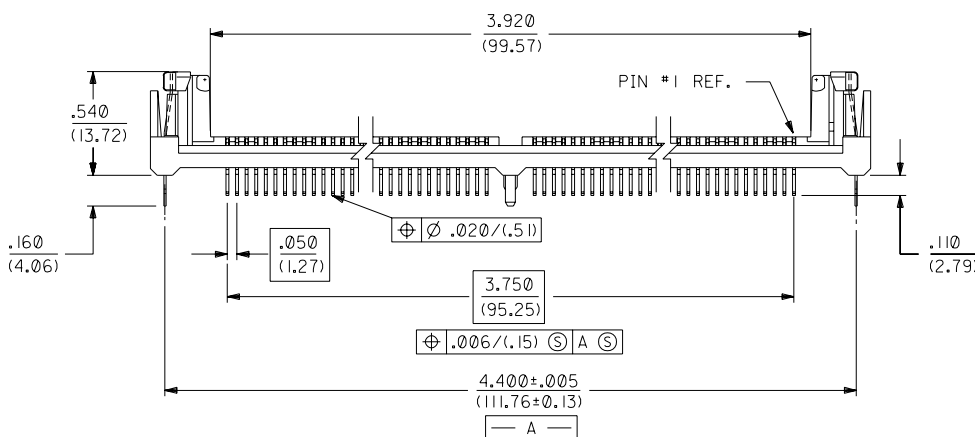
METAL LATCH- STAINLESS STEEL



RECOMMENDED SOCKET P.C. BOARD HOLE PATTERN



END VIEW
SCALE 4:1



*THE PRIMARY SHIPPING CARTON WILL BE LABELED "COMPLIANT TO RoHS DIRECTIVE 2002/95/EC AND ELV ANNEX II OF DIRECTIVE 2000/53/EC" CARTONS WITHOUT THIS LABEL MAY CONTAIN PRODUCT WITH LEAD.

E	LEAD FREE UCP2004-1582 RWHITE 04/02/24
D	REVISED PER ECR U51309 GMY 8-18-95
C	REDRAWN PER ECR U20649 AMD 6-10-92
B	REVISED/UPDATED PER ECR U0 0647 SEC 9-21-90
A	ADDED EDP PER ERO 30152 KER 7-23-90
I	X - RELEASE PER ERO 30151 KER 7-16-90

DIMENSIONS SHOWN (METRIC) INCH UNLESS OTHERWISE SPECIFIED TOLERANCES: ANGULAR $\pm 1/2^\circ$		▽ = 0		= 0		REVISE ONLY ON CAD SYSTEM	
3 PLACE $\pm .010$		---		---		TITLE	
2 PLACE $\pm .014$		± 0.25		---		SALES ASSEMBLY REV. ROTATION METAL LATCH VERTICAL SIMM SOCKET	
1 PLACE ---		± 0.35		---		MOLEX INCORPORATED SHEET NO. DATE	
DRAFT WHERE APPLICABLE MUST REMAIN WITHIN DIMENSIONS		---		---		U.S.A. 1 07/16/90	
PART NO. 15-82-0777		DRWG. NO. SDA-78962-7233		FILE NAME		ST05062X40	
DRWG. BY KER		CHK'D. BY		SCALE 2:1		THIS DRAWING CONTAINS INFORMATION THAT IS PROPRIETARY TO MOLEX INC. AND SHOULD NOT BE USED WITHOUT WRITTEN PERMISSION	